

REFERENCES AND VERSIONS

References

0103011301	ANEM05H25 V3 PULSES OUTPUT M12 UNDERSIDE NO FEMALE CONNECTOR
0103011302	ANEM05H25 V3 PULSES OUTPUT M12 UNDERSIDE
0103011303	ANEM05H25 V3 PULSES OUTPUT M12 UNDERSIDE 12m CABLE
0103011304	ANEM05H25 V3 PULSES OUTPUT M12 UNDERSIDE 25m CABLE
0103011305	ANEM05H25 V3 PULSE OUTPUT M12 UNDERSIDE + FIXED BRACKET + HARDWARE

Other devices of ANEM04403 V3 range

Heated

0103011401	ANEM05H25 V3 4-20mA OUTPUT 120km/h M12 UNDERSIDE NO FEMALE CONNECTOR
0103011402	ANEM05H25 V3 4-20mA OUTPUT 120km/h M12 UNDERSIDE
0103011403	ANEM05H25 V3 4-20mA OUTPUT 120km/h M12 UNDERSIDE 12m CABLE
0103011404	ANEM05H25 V3 4-20mA OUTPUT 120km/h M12 UNDERSIDE 25m CABLE
0103011405	ANEM05H25 V3 4-20mA OUTPUT 180km/h M12 UNDERSIDE NO FEMALE CONNECTOR
0103011406	ANEM05H25 V3 4-20mA OUTPUT 180km/h M12 UNDERSIDE
0103011407	ANEM05H25 V3 4-20mA OUTPUT 180km/h M12 UNDERSIDE 12m CABLE
0103011408	ANEM05H25 V3 4-20mA OUTPUT 180km/h M12 UNDERSIDE 25m CABLE

Pulses with configurable scale

0103011101	ANEM04403 V3 NPN OUTPUT
------------	-------------------------

Displays

0106030501	WM44-P V3 230Vac
0106030502	WM44-P V3 48Vac
0106030503	WM44-P V3 24Vac
0106030504	WM44-P V3 24Vdc NOT INSULATED
0106030505	WM44-P V3 12Vdc NOT INSULATED
0106030601	WM44-SS V3 24Vac
0106030701	WM44-DRM V3 230Vac
0106030702	WM44-DRM V3 48Vac
0106030411	WM44-EVO11 IP65 24Vdc
0106030412	WM44-EVO11 IP65 230Vac

Accessories

0103010505	Stainless steel bracket AISI 304
FE BRIDA ANTENNA	Steel clamps that can be fixed to irregular parts measuring up to 63 x 45 mm
IM BASE ND 32x7	Magnets for flat ferromagnetic surfaces. This fixation system can support up to 90 kg

*For other references, please contact us.



ANEM05H25 V3 PULSES OUTPUT (HEATED)

ANEM05H25 V3 rang.

Heated wind speed sensor designed for different industries and sectors.

Anemo5H25 V3 PULSES OUTPUT has a pulses output proportional to the wind speed that is given by a reed switch. It incorporates a heater to be able to work in -0°C temperatures. When the temperature is higher than $+6^{\circ}\text{C}$, it switches itself off automatically to reduce the consumption.

Industrial design for extreme environments

Reed switch pulses output

Measurement range up to 180 Km/h

Stainless Steel bearings

An external thermostat is not required

It Works from -20°C with ice



Certificado E201129



APPLICATIONS

ANEM05H25 V3 PULSES OUTPUT has been designed to be used in industrial applications: cranes, solar panels, wind turbines, weather stations... It is a version that has been specially designed to work at low temperatures (from -20°C).

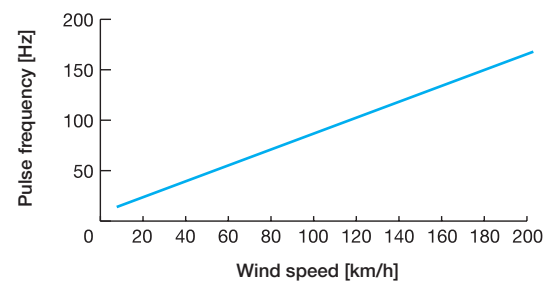
It is usually connected to speed sensors such as tachometers (see references WM44-EVD11 V3, WM44-P V3, WM44-DRM V3), PLC's or dataloggers to display the wind speed and/or set alarms to predefined values or to obtain records during predefined periods of time.

OPERATING

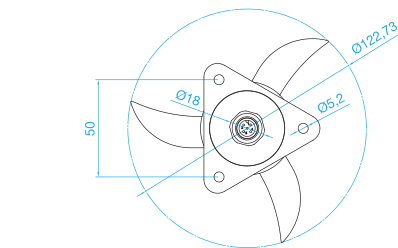
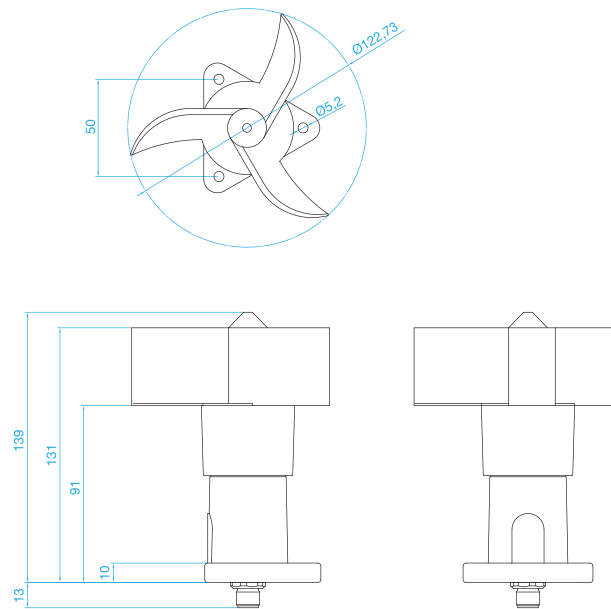
Survival speed: 180 km/h of wind speed.
It gives a pulses output that depends on the wind speed (see graphic). The pulses are given by a dry reed switch with a series resistance which switches with a frequency proportional to the wind speed (see graphic). It includes an internal capacitor that can be used as a signal filter.
The heater works from -20°C up to +6°C. Above this temperature, it switches itself off automatically to reduce the consumption.

WIND SPEED - OUTPUT RATIO

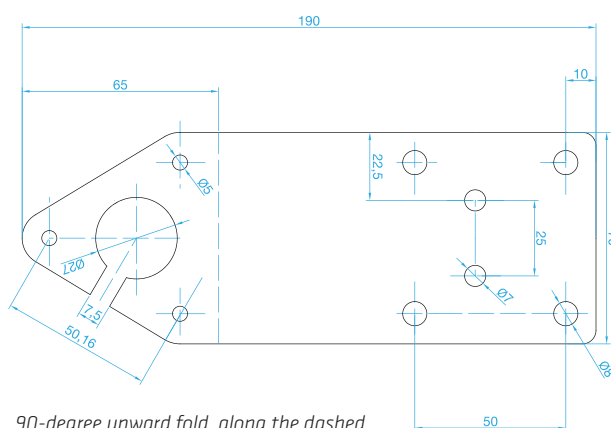
The wind speed is given by the function:
Speed (km/h) = 0.8*Hz + 3



DIMENSIONS



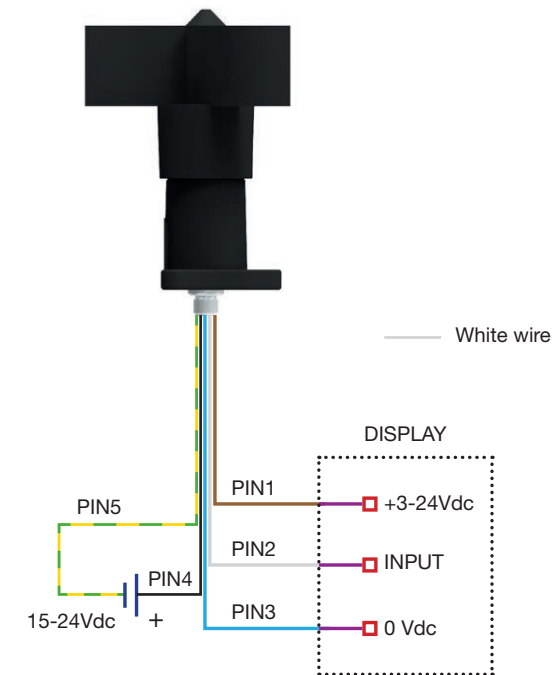
BRACKET (OPTIONAL ACCESSORY)



90-degree upward fold, along the dashed line.
2-mm-thick stainless steel.

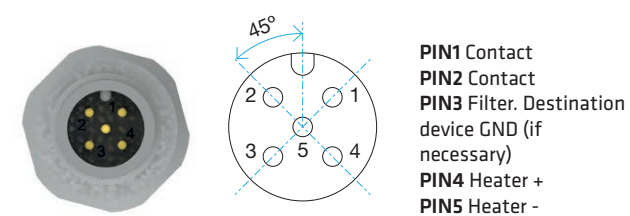
CONNECTION

BLOCKS DIAGRAM



Colour wires referenced to the cable supplied.
Cable not included in any versions.
WM44-P cannot supply the heater, an external power supply is required.

ANEM05H25 MALE M12 CONNECTOR



TECHNICAL FEATURES

Switch electrical features

Power supply	3...24 Vdc
Maximum current	15 mA
Type of output	Frequency (pulses)
Type of contact	Reed

Heater electrical features

Power supply	15...24 Vdc
Consumption with heater $t^{\circ} > 6^{\circ}\text{C}$ (+-3°C)	<0.5 W
Average consumption with heater $t^{\circ} < 6^{\circ}\text{C}$ (+-3°C)	<17 W
Maximum current	1.8 A @ 24 Vdc 1.2 A @ 15 Vdc

Measurements

Range	3-180 km/h
Starting speed	8 km/h
Survival speed	200 km/h
Accuracy	1km/h (3-15 km/h) 3% (15-180km/h)
Speed-Hz ratio	$V(\text{km/h})=0.8*f + 3$

General

Material	PA + FV
Bearings	Stainless steel X65Cr13
Type of connection	Connector M12*
Weight	150 g
Dimensions	125x155 mm
Storage temperature	-35°C +80°C
Working temperature	-20°C +60°C
EMC	EN 61000-6-2:2001 EN 55022:2001, Class B
Protection	IP65 (UNE 20324:1993)

* See references